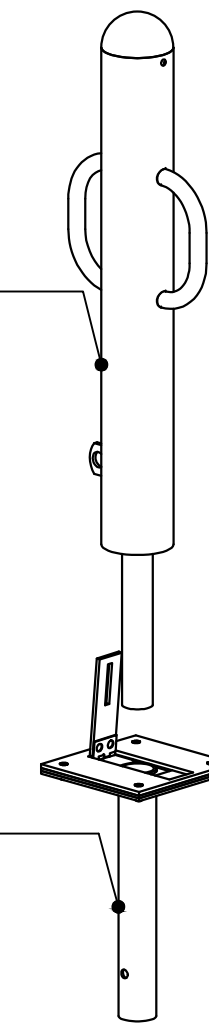


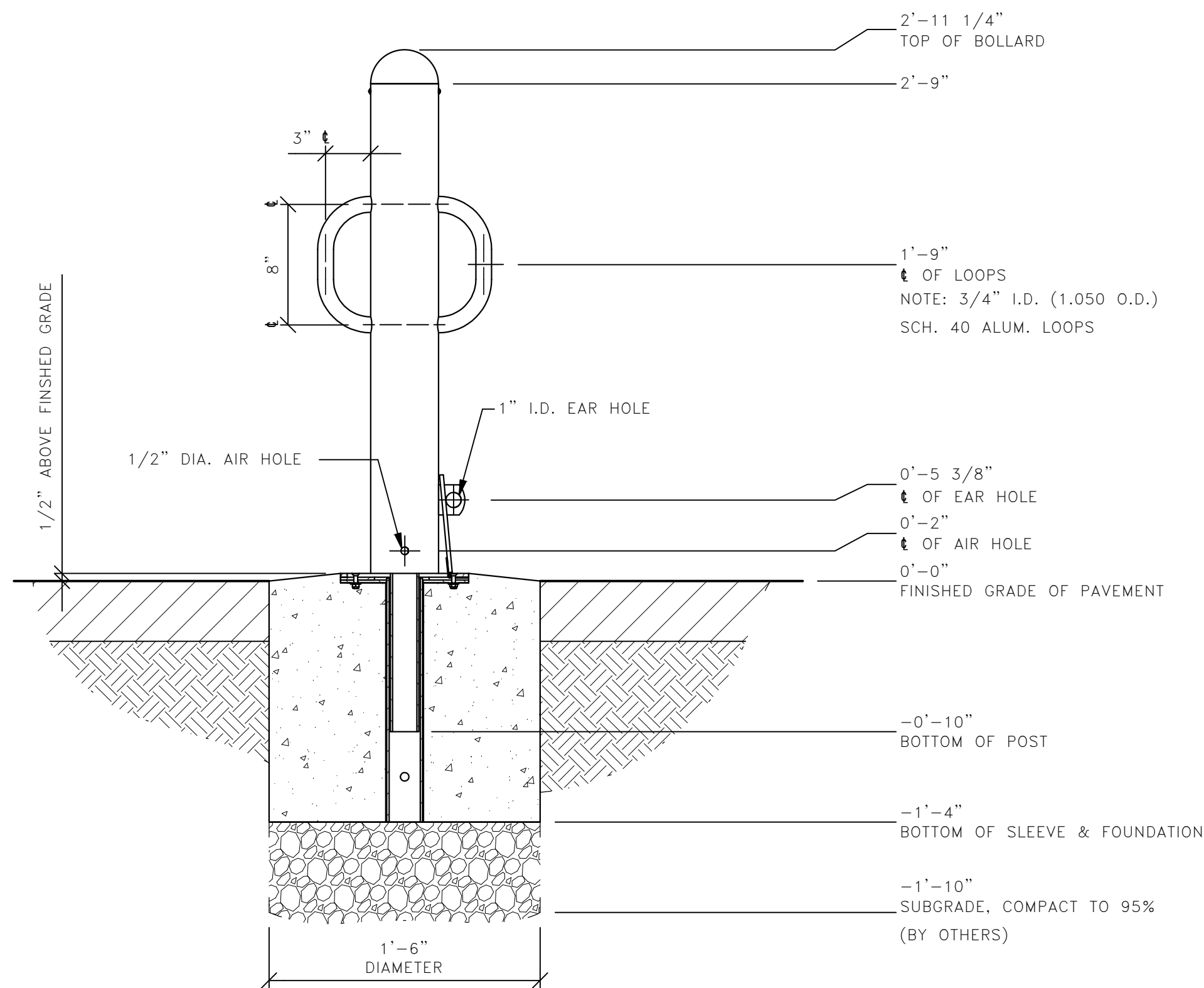
TOP VIEW
SCALE 1 1/2"=1'-0"

ALUMINUM POST WITH DOME TOP & TWO LOOPS ASSEMBLY
(NOTE: POWDER COATED YELLOW WITH MIN. RETROREFLECTIVITY OF 17.5 MCD. M-2. LX -1)

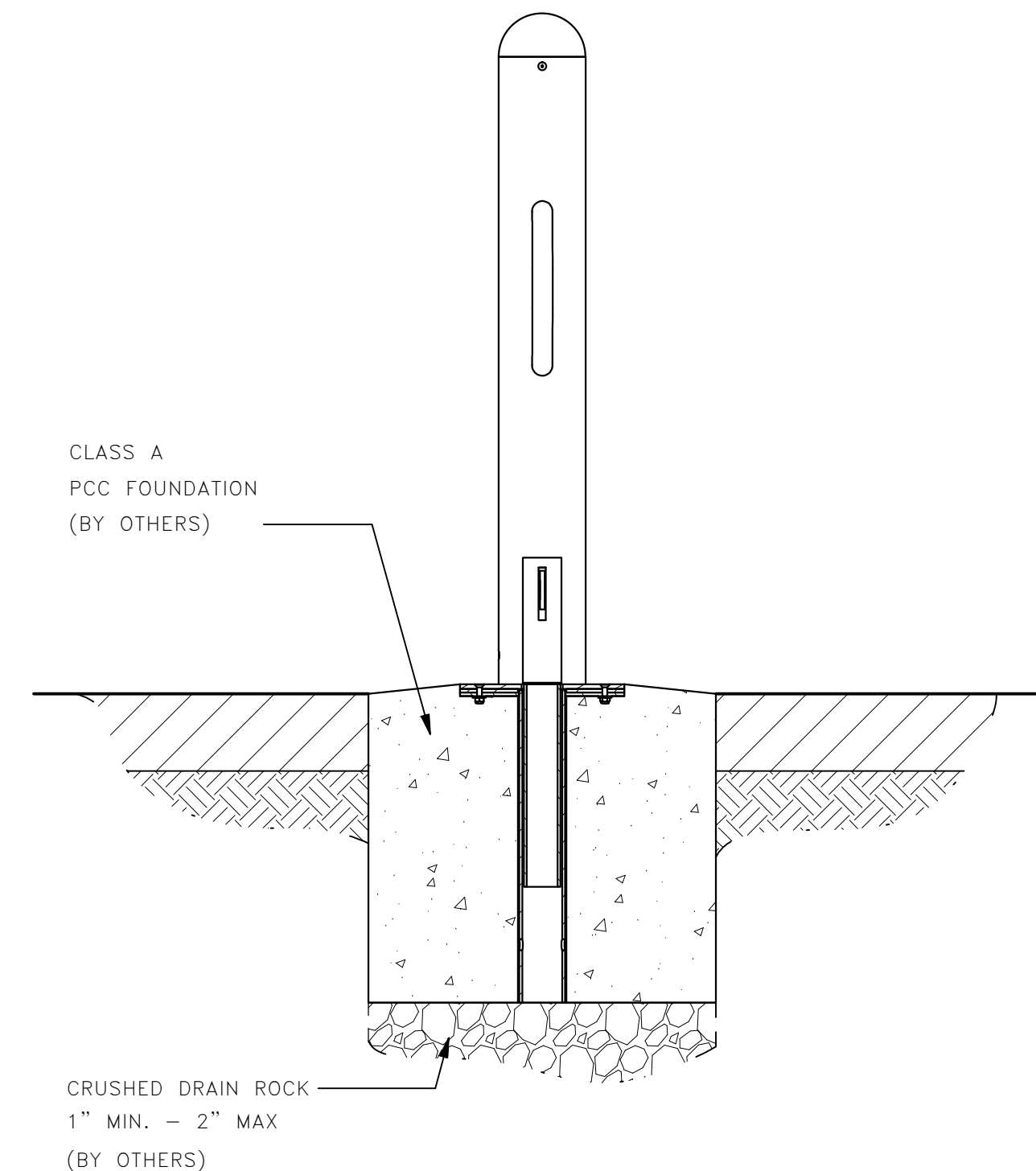


ALUMINUM EMBEDMENT SLEEVE ASSEMBLY

ISOMETRIC VIEW
SCALE NONE



FRONT VIEW
SCALE 1 1/2"=1'-0"



SIDE VIEW
SCALE 1 1/2"=1'-0"

NOTE:
CONCRETE FOOTING AND NO. 4 REBAR (BY OTHERS) PER LOCAL SOIL CONDITIONS. CONSULT PROJECT ENGINEER FOR EXACT REQUIREMENTS.

Date	Revision	By
△		
△		
△		
△		
Scale	Drawn by: DG	06-09-11
NOTED	Checked by: Ian	06-09-11

COLUMBIA CASCADE COMPANY
Makers of TimberForm[®], PipeLine[®], RePlay[®],
TimberForm[®]-2 and CycLoops[®] Products.

1300 S.W. Sixth Avenue, Suite 310 Telephone 503/223-1157
Portland, Oregon 97201-5464 Facsimile 503/223-4530
U.S.A.

This drawing reveals the copyrighted intellectual property of Columbia Cascade Company. Not for use by others without our express, written authorization.

Title: **TIMBERFORM METAL BOLLARD**
MODEL NO. 2190-RH-M
REMOVABLE BOLLARD
WITH HASP/HOLE COVER
CITY OF SAN JOSE
SAN JOSE, CA
PARKPACIFIC, INC.

Drawing No.
P-11074-R

Sheet
1 of 2